



## 269 • 19"-ventilation unit 1U



### 19" ventilation unit 1U

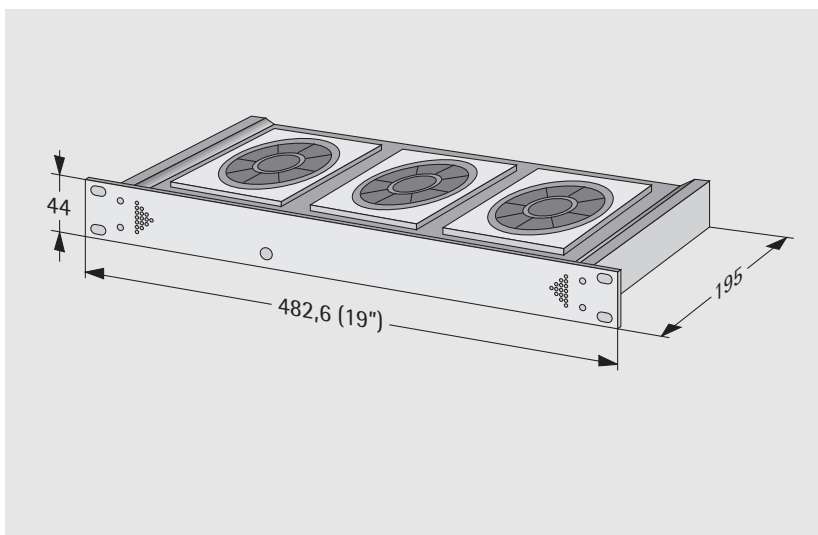
- fitted with 3 high-grade **PAPST**-fans
- compact dimensions
- integration depth only 195 mm
- cooling unit connector

#### Application:

for ventilation of 19" cabinets and 19" housings when space is limited

**Finish:** front RAL 7035

### Technical information



#### Fan properties:

- dimensions: 119 mm x 119 mm x 25 mm
- flow rate: 360 (3 x 120 m<sup>3</sup>/h)
- noise level: 40 dB(A)
- voltage: 230 V

**Delivery:** mounted

#### Delivery:

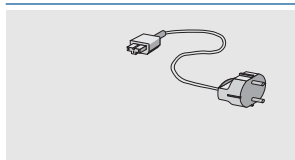
- 1 ventilation unit complete
- 1 set of 4 screws for 19" assembly

### Order information

Description	Order number
19"ventilation unit 1U	26-9210-50

### Accessories

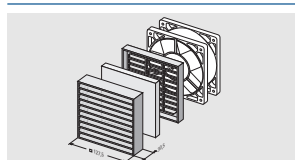
#### Mains cable



- with earthed connector and cooling unit plug

Length of cable	Order no.
1,5 m	230-202

#### Air outlet filter



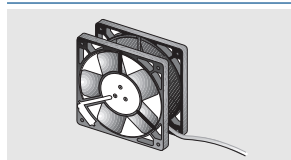
- for custom self-assembly on standard cabinet or enclosure
- discharge filters are usually combined with in-built fans in the upper part of the cabinet

#### Delivery:

1 discharge filter complete with filter mat, without mounting hardware

Order number
230-800

#### 230V fan

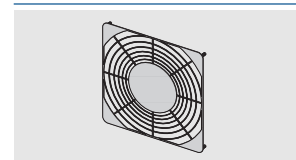


- integration ready
- complete with mounting hardware

Connecting cable L = approx. 300mm  
Voltage: 230 V  
Noise level: 41 dB(A)  
Fan flow rate: 160 m<sup>3</sup>/h

Order number
230-804

#### Protective grid



appropriate for fan 230 V

Description	Order no.
clip-on on type	230-819
screw-on type	230-818

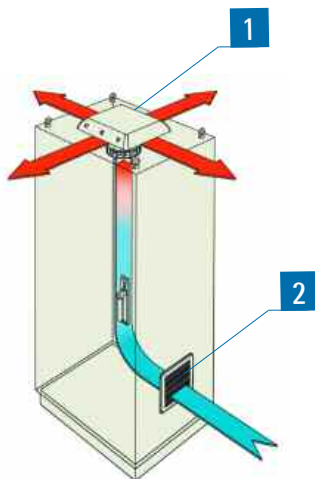
### 1 Built-in fan

- for large-volume ventilation of enclosures/cabinets
- compact dimensions
- height approx. 70 mm
- simple assembly
- connection via terminal block



#### Order information

<b>Order number</b>
23-0855-00



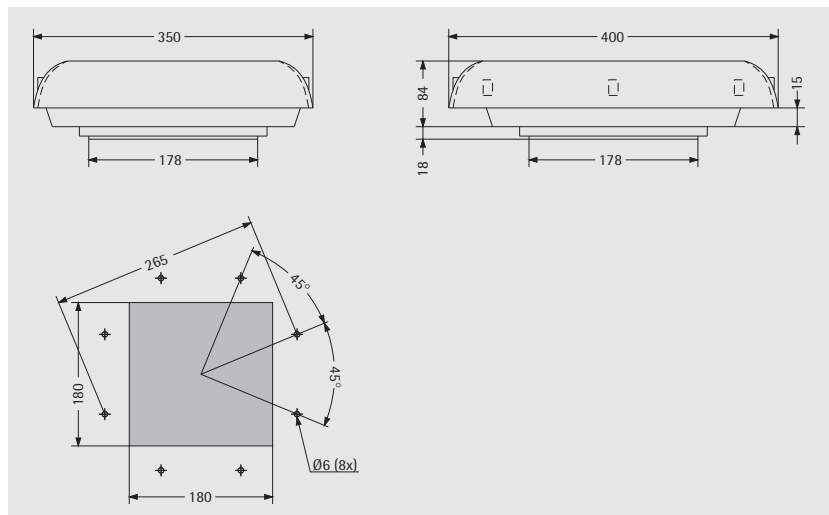
#### Technical information

Description	ME	DLK22BXOA
Air flow rate	m <sup>3</sup> /h	1050/1085
Supply voltage	V ~ Hz	230 ~ 50 - 60
Dimensions (H x W x D)	mm	102 x 400 x 350
Power rating	W	120/155
Nominal input	A	0,52/0,65
Winding protection		internal to the motor
Electrical connection	-	Terminal block
Operating time	-	100 %
Application area	°C	-10 to +70
Protection class acc. to EN 60529	-	IP 44
Noise level	dB(A)	56
Air flow rate with filter	m <sup>3</sup> /h	900/915
Direction	-	from the outside to inside

### 2 Filter unit

- for supplementing ventilation unit mentioned above
- for cleaning intake air

#### Technical information



#### Order information

<b>Order number</b>
23-0855-10